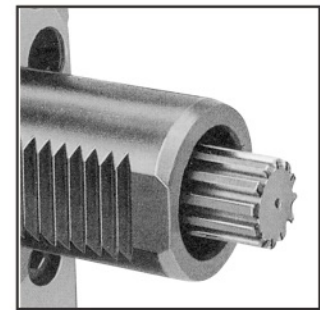
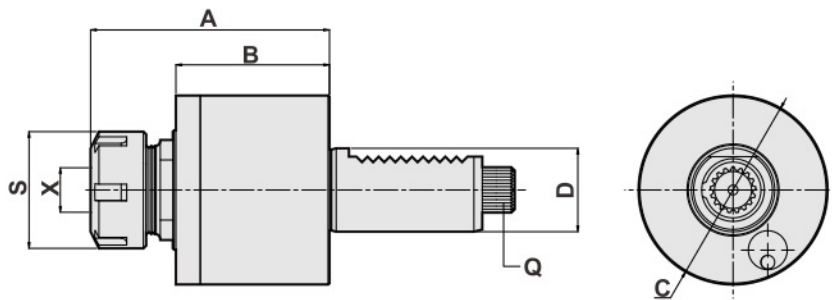




## AXIAL DRILLING AND MILLING HEADS (0°)

TYPE

DIN 5482



▲ Coupling to DIN 5482

- To be used for collet DIN 6499
- External coolant supply
- Collet is not included

Power transmission according to DIN 5482

### DIMENSIONS

D DIN 69880	X Capacity		S	Maximum R.P.M	i	A	B	C	Q DIN 5482	Code No.	Order No.
30	1-16	ER25	42	6000	1:1	101	70	68	B15x12	130301-000	DA30548225
40	1-16	ER25	42	6000	1:1	108.5	73.5	86	B17x14	140327-000	DA40548225
40	2-20	ER32	50	6000	1:1	110	73.5	86	B17x14	140301-000	DA40548232
50	3-26	ER40	63	6000	1:1	120	81.5	96	B20x17	150301-000	DA50548240
60	10-34	ER50	78	6000	1:1	140	88.5	116	B25x22	160301-000	DA60548250

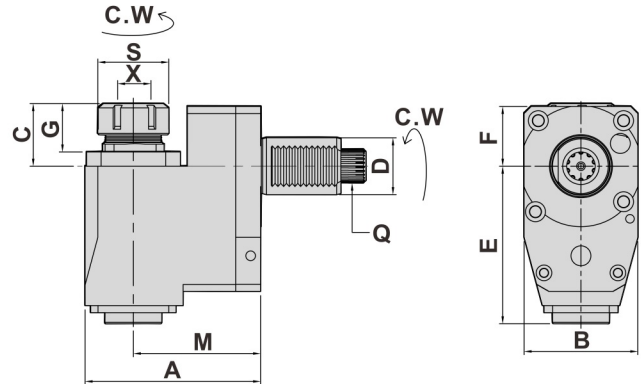


# RADIAL DRILLING AND MILLING HEADS OFFSET (90°)

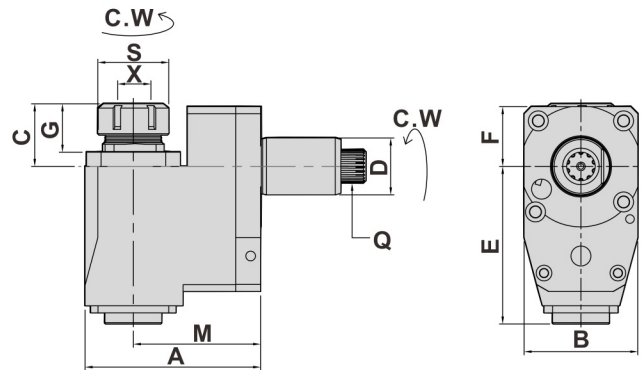
TYPE

DIN 5482

MODE : BL  
LEFT-HAND



MODE : BR  
RIGHT-HAND



- To be used for collet DIN 6499
- External coolant supply
- Collet is not included

## DIMENSIONS

D DIN 69880	X Capacity	S	Maximum R.P.M	i	A	B	C	E	F	G	M	Q DIN 5482	Code No.	Order No.
30	1-16	42	5000	1:1	95	60	42	75.5	31.5	28.5	72	B15x12	230301-000	BR3054822572
	ER25												230321-000	BL3054822572
40	2-20	50	5000	1:1	124	80	44	110	42	34	90	B17x14	240301-000	BR4054823290
	ER32												240321-000	BL4054823290
50	3-26	63	5000	1:1	129	86	49	112	45	39	90	B20x17	250301-000	BR5054824090
	ER40												250321-000	BL5054824090
60	10-34	78	5000	1:1	147	104	83	118	54	42	106	B25x22	260301-000	BR60548250106
	ER50												260321-000	BL60548250106